

ESPECIALIDADES

PLAN DE PINTURA												
Especialidad	143/5T	182/4T	213/5T	254/6T	324/6T	364/5T	404/5T	444/5T	447T	449T	504/5T	586/T
Plan 202E	✓	✓	✓	✓	✓	✓	✓	✓	✓	✓	✓	✓
Plan 212P	✓	✓	✓	✓	✓	✓	✓	✓	✓	✓	✓	✓
Color Especial	SOBRE SOLICITUD											

CAJA DE CONEXIÓN												
Especialidad	143/5T	182/4T	213/5T	254/6T	324/6T	364/5T	404/5T	444/5T	447T	449T	504/5T	586/T
Bornera de Conexión	✓	✓	✓	✓	✓	✓	✓	✓	✓	✓	✓	✓
Caja adicional	✓	✓	✓	✓	✓	✓	✓	✓	✓	✓	✓	✓
Sin caja de conexión	✓	✓	✓	✓	✓	✓	✓	✓	✓	✓	✓	✓

FLECHA												
Especialidad	143/5T	182/4T	213/5T	254/6T	324/6T	364/5T	404/5T	444/5T	447T	449T	504/5T	586/T
Segunda salida de flecha	✓	✓	✓	✓	✓	✓	✓	✓	✓	✓	✓	✓
Barreno roscado en el centro de la flecha	✓	✓	✓	✓	✓	✓	✓	✓	✓	✓	✓	✓
Flecha de acero inoxidable	✓	✓	✓	✓	✓	✓	✓	✓	✓	✓	✓	✓
Balaceo reducido	✓	✓	✓	✓	✓	✓	✓	✓	✓	✓	✓	✓
Balaceo especial	✓	✓	✓	✓	✓	✓	✓	✓	✓	✓	✓	✓
Flecha corta (TS)	✗	✗	✗	✗	✓	✓	✓	✓	✓	✓	✓	✓
Diámetro y longitud especial	✓	✓	✓	✓	✓	✓	✓	✓	✓	✓	✓	✓
Diámetro especial	✓	✓	✓	✓	✓	✓	✓	✓	✓	✓	✓	✓
Longitud especial	✓	✓	✓	✓	✓	✓	✓	✓	✓	✓	✓	✓

RODAMIENTOS												
Especialidad	143/5T	182/4T	213/5T	254/6T	324/6T	364/5T	404/5T	444/5T	447T	449T	504/5T	586/T
Rodamientos de rodillos	✗	✗	✗	✗	✓	✓	✓	✓	✓	✓	✓	✓
Rodamientos sellados (ZZ)	✓	✓	✓	✓	✓	✓	✓	✗	✗	✗	✗	✗
Rodamientos RS	✓	✓	✓	✓	✓	✓	✓	✗	✗	✗	✗	✗
Rodamientos 2RS	✓	✓	✓	✓	✓	✓	✓	✗	✗	✗	✗	✗

VENTILACIÓN												
Especialidad	143/5T	182/4T	213/5T	254/6T	324/6T	364/5T	404/5T	444/5T	447T	449T	504/5T	586/T
Ventilador de Aluminio (2, 4, 6 y 8 polos)	✓	✓	✓	✓	✓	✓	✓	✓	✓	✓	✓	✓
Ventilación forzada	✗	✗	✓	✓	✓	✓	✓	✓	✓	✓	✓	✓
TEAO	✓	✓	✓	✓	✓	✓	✓	✓	✓	✓	✓	✓

PROTECCIÓN												
Especialidad	143/5T	182/4T	213/5T	254/6T	324/6T	364/5T	404/5T	444/5T	447T	449T	504/5T	586/T
Sellos Laberinto	✓	✓	✓	✓	✓	✓	✓	✓	✓	✓	✓	✓
IP56 (Marine Duty)	✓	✓	✓	✓	✓	✓	✓	✓	✓	✓	✓	✓

DISEÑO ELÉCTRICO												
Especialidad	143/5T	182/4T	213/5T	254/6T	324/6T	364/5T	404/5T	444/5T	447T	449T	504/5T	586/T
Termostatos 1 x fase NC	✓	✓	✓	✓	✓	✓	✓	✓	✓	✓	✓	✓
RTD's en embobinado PT100 (1 x fase)	✓	✓	✓	✓	✓	✓	✓	✓	✓	✓	✓	✓
RTD's en rodamientos PT100 (1 x rodamiento)	✓	✓	✓	✓	✓	✓	✓	✓	✓	✓	✓	✓
Resistencias Calefactoras	✓	✓	✓	✓	✓	✓	✓	✓	✓	✓	✓	✓

PRUEBAS												
Especialidad	143/5T	182/4T	213/5T	254/6T	324/6T	364/5T	404/5T	444/5T	447T	449T	504/5T	586/T
Prueba de Rutina	✓	✓	✓	✓	✓	✓	✓	✓	✓	✓	✓	✓
Prueba Tipo	✓	✓	✓	✓	✓	✓	✓	✓	✓	✓	✓	✓
Otras	BAJO CONSULTA											

OTRAS ESPECIALIDADES												
Especialidad	143/5T	182/4T	213/5T	254/6T	324/6T	364/5T	404/5T	444/5T	447T	449T	504/5T	586/T
Cubierta deflector contra lluvia	✓	✓	✓	✓	✓	✓	✓	✓	✓	✓	✓	✓
Bridas especiales	BAJO CONSULTA											
Aislamiento clase "H"	✓	✓	✓	✓	✓	✓	✓	✓	✓	✓	✓	✓
Sin patas	✓	✓	✓	✓	✓	✓	✓	✓	✓	✓	✓	✓

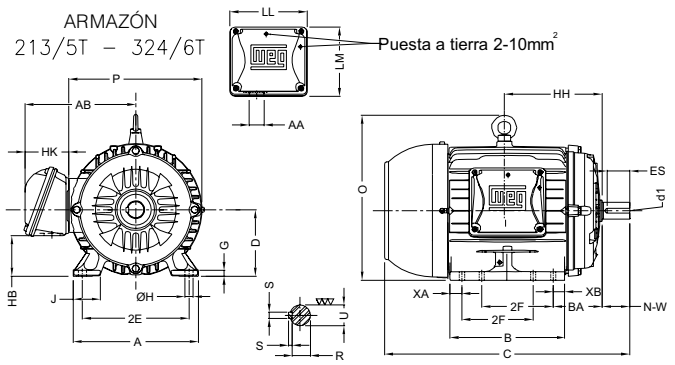
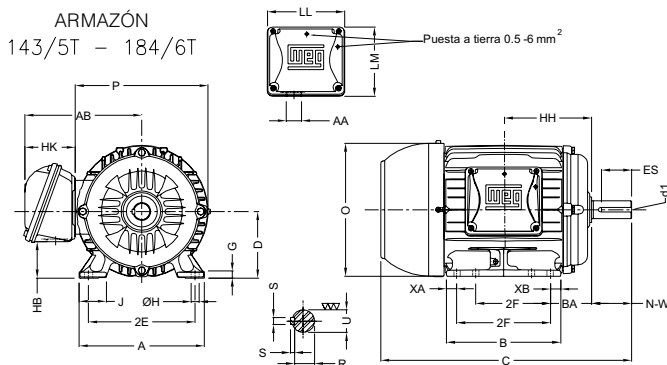
Nota:

- Para otras potencias y armazones o especialidades consultar a su representante de ventas.
- Estas especialidades están disponibles para los motores W22 Armazón de Hierro.

DIMENSIONES GENERALES

W22 NEMA PREMIUM

ARMAZÓN	#	2E	2F-1	2F-2	H	BA	A	B	C	D	G	J	O	K	P	T	S	R
143/5T	1	5.500	4.000	5.000	0.340	2.250	6.457	6.142	13.346	3.500	0.354	1.457	7.126	-	7.244	-	0.887	0.771
182/4T	2	7.500	4.500	5.500	0.410	2.750	8.661	6.969	15.866	4.500	0.394	1.614	8.898	-	8.898	-	0.250	0.984
213/5T	3	8.500	5.500	7.000	0.410	3.500	9.764	8.858	19.528	5.250	0.630	1.772	10.512	-	10.787	-	0.313	1.203
254/6T	4	10.000	8.252	10.000	0.530	4.250	11.496	11.732	24.961	6.250	0.669	1.772	12.953	2.559	12.953	2.087	0.375	1.416
284/6TS	5	11.000	9.500	11.000	0.530	4.750	12.953	13.071	26.575	7.000	0.669	2.244	13.850	2.874	14.173	2.087	0.375	1.416
284/6T	6	11.000	9.500	11.000	0.530	4.750	12.953	13.071	27.913	7.000	0.669	2.244	13.850	2.874	14.173	2.087	0.500	1.591
324/6TS	7	12.500	10.500	12.000	0.660	5.250	15.157	14.567	29.606	8.000	1.343	3.181	15.945	4.055	15.827	2.114	0.500	1.594
324/6T	8	12.500	10.500	12.000	0.660	5.250	15.157	14.567	31.102	8.000	1.343	3.181	15.945	4.055	15.827	2.114	0.500	1.844
364/5TS	9	14.000	11.250	12.250	0.660	5.875	17.165	15.512	32.323	9.000	1.484	3.150	17.953	4.173	17.913	-	0.500	1.591
364/5T	10	14.000	11.250	12.250	0.660	5.875	17.165	15.512	34.409	9.000	1.484	3.150	17.953	4.173	17.913	-	0.625	2.019
404/5TS	11	16.000	12.250	13.750	0.810	6.625	19.921	18.386	36.732	10.000	1.811	3.937	19.566	5.669	19.134	-	0.500	1.842
404/5T	12	16.000	12.250	13.750	0.810	6.625	19.921	18.386	39.724	10.000	1.815	3.937	19.566	5.748	19.134	-	0.750	2.449
444/5TS	13	18.000	14.500	16.500	0.810	7.500	21.929	20.315	41.200	11.000	1.630	3.937	22.975	5.866	23.583	-	0.625	2.021
444/5T	14	18.000	14.500	16.500	0.810	7.500	21.929	20.315	44.950	11.000	1.630	3.937	22.975	5.866	23.583	-	0.875	2.880
445/7TS	15	18.000	20.000	25.000	0.810	7.500	21.929	31.535	52.588	11.000	1.630	4.331	22.795	6.692	23.583	-	0.625	2.021
445/7T	16	18.000	20.000	25.000	0.810	7.500	21.929	31.535	56.338	11.000	1.630	4.331	22.795	6.692	23.583	-	0.875	2.880
447/9TS	17	18.000	20.000	25.000	0.810	7.500	21.929	31.535	52.588	11.000	1.630	4.331	22.795	6.692	23.583	-	0.625	2.021
447/9T	18	18.000	20.000	25.000	0.810	7.500	21.929	31.535	56.338	11.000	1.630	4.331	22.795	6.692	23.583	-	0.875	2.880
L447/9TS	19	18.000	20.000	25.000	0.810	7.500	21.929	31.535	53.431	11.000	1.630	3.937	23.874	8.780	25.866	-	0.625	2.021
L447/9T	20	18.000	20.000	25.000	0.810	7.500	21.929	31.535	57.181	11.000	1.630	3.937	23.874	8.780	25.866	-	0.875	2.880
504/5TS	21	20.000	16.000	18.000	1.250	8.500	25.724	24.449	48.215	12.500	2.146	4.724	25.425	7.228	25.866	-	0.625	2.021
504/5T	22	20.000	16.000	18.000	1.250	8.500	25.724	24.449	54.095	12.500	2.146	4.724	25.425	7.228	25.866	-	0.875	3.134
586/7TS	23	23.000	22.000	25.000	1.181	10.000	29.528	29.921	55.027	14.500	2.492	5.512	28.985	9.055	28.997	-	0.625	2.021
586/7T	24	23.000	22.000	25.000	1.181	10.000	29.528	29.921	61.902	14.500	2.492	5.512	28.985	9.055	28.997	-	1.000	3.312
588/9TS	25	23.000	28.000	32.000	1.810	10.000	29.528	37.980	62.506	14.500	2.492	5.512	28.985	13.030	28.977	-	0.625	2.021
588/9T	26	23.000	28.000	32.000	1.810	10.000	29.528	37.980	69.381	14.500	2.492	5.512	28.985	13.030	28.977	-	1.000	3.120



DIMENSIONES GENERALES

W22 NEMA PREMIUM

ARMAZÓN	#	ES	N-W	U	d1	AB	HB	HD	HF	HG	HH	HK	LL	LM	AA	D.E.	N.D.E
143/5T	1	1.575	2.250	0.187	A4	5.886	1.850	-	3.500	-	4.750	2.323	4.252	3.858	NPT3/4"	6205-ZZ	6204-ZZ
182/4T	2	1.969	2.750	1.125	A4	7.559	2.244	-	4.500	-	5.500	3.150	5.512	5.236	NPT 1"	6207-ZZ	6206-ZZ
213/5T	3	2.480	3.375	1.375	A4	8.602	2.992	-	5.250	-	7.008	3.150	5.512	5.236	NPT 1"	6308-ZZ	6207-ZZ
254/6T	4	2.756	4.000	1.625	A4	10.492	3.061	-	6.565	-	9.252	3.976	7.815	7.480	NPT 1-1/2"	6309-C3	6209-C3
284/6TS	5	2.480	3.250	1.625	A4	11.083	3.543	-	7.000	-	10.256	3.976	7.815	7.480	NPT 1 1/2"	6311-C3	6211-C3
284/6T	6	3.150	4.622	1.875	A4	11.083	3.543	-	7.000	-	10.256	3.976	7.815	7.480	NPT 1 1/2"	6311-C3	6211-C3
324/6TS	7	2.756	3.750	1.875	A4	12.579	4.803	-	8.708	-	11.260	4.705	9.055	8.661	NPT 2"	6312-C3	6212-C3
324/6T	8	3.937	5.250	2.125	A4	12.579	4.803	-	8.708	-	11.260	4.705	9.055	8.661	NPT 2"	6312-C3	6212-C3
364/5TS	9	1.969	3.748	1.875	UNC 3/4"-10	16.024	4.252	-	-	-	11.998	6.024	10.591	11.220	NPT 3"	6314-C3	6314-C3
364/5T	10	4.331	5.874	2.375	UNC 3/4"-10	16.024	4.252	-	-	-	11.998	6.024	10.591	11.220	NPT 3"	6316-C3	6314-C3
404/5TS	11	2.756	4.250	2.125	UNC 3/4"-10	16.378	5.040	-	-	-	13.504	6.024	10.591	11.220	NPT 3"	6314-C3	6314-C3
404/5T	12	5.512	7.250	2.875	UNC 3/4"-10	16.024	5.256	-	-	-	13.504	6.024	10.591	11.220	NPT 3"	6316-C3	6314-C3
444/5TS	13	3.000	4.750	2.375	UNC 3/4"-10	18.386	5.394	-	-	-	15.748	5.787	11.811	11.890	2 x NPT 3"	6314-C3	6314-C3
444/5T	14	7.087	8.500	3.375	UNC 3/4"-10	18.386	5.394	-	-	-	15.748	5.787	11.811	11.890	2 x NPT 3"	6319-C3	6316-C3
445/7TS	15	3.000	4.750	2.375	UNC 3/4"-10	20.670	15.078	27.401	25.889	27.007	11.803	6.968	14.646	15.040	2 x NPT 3"	6314-C3	6314-C3
445/7T	16	7.087	8.500	3.375	UNC 3/4"-10	20.670	15.078	27.401	25.889	27.007	11.803	6.968	14.646	15.040	2 x NPT 3"	6319-C3	6316-C3
447/9TS	17	3.000	4.750	2.375	UNC 3/4"-10	20.670	15.078	27.401	25.889	27.007	11.803	6.968	14.646	15.040	2 x NPT 3"	6314-C3	6314-C3
447/9T	18	7.087	8.500	3.375	UNC 3/4"-10	20.670	15.078	27.401	25.889	27.007	11.803	6.968	14.646	15.040	2 x NPT 3"	6322-C3	6319-C3
L447/9TS	19	3.000	4.750	2.375	UNC 3/4"-10	23.071	15.078	27.401	25.889	27.007	11.500	8.464	15.906	17.244	2xNPT 3"	6314-C3	6314-C3
L447/9T	20	7.087	8.500	3.375	UNC 3/4"-10	23.071	15.078	27.401	25.889	27.007	11.500	8.464	15.906	17.244	2xNPT 3"	6322-C3	6319-C3
504/5TS	21	3.000	4.750	2.375	UNC 3/4"-10	20.670	15.275	30.305	24.291	29.409	10.394	6.968	14.646	15.040	2xNPT 3"	6314-C3	6314-C3
504/5T	22	8.661	10.630	3.625	UNC 3/4"-10	20.670	15.275	30.305	24.291	29.409	10.394	6.968	14.646	15.040	2xNPT 3"	6319-C3	6316-C3
586/7TS	23	3.000	4.750	2.375	UNC 3/4"-10	23.977	18.149	35.354	27.559	30.801	13.386	8.464	15.906	17.244	2xNPT 3"	6314-C3	6314-C3
586/7T	24	8.661	11.625	3.875	UNC 7/8"-9	23.977	18.149	35.354	27.559	30.801	13.386	8.464	15.906	17.244	2xNPT 3"	6322-C3	6319-C3
588/9TS	25	3.000	4.750	2.375	UNC 3/4"-10	27.600	6.063	35.346	26.182	33.346	13.386	12.519	17.441	28.740	2xNPT 3"	6314-C3	6314-C3
588/9T	26	8.661	11.625	3.875	UNC 7/8"-9	27.600	6.063	35.346	26.182	33.346	13.386	13.977	17.441	28.740	2xNPT 3"	6322-C3	6319-C3

